

DENKA TFE

Sep. 3, 2001

Grade

- DENKA TFE 174
- DENKA TFE 174C
- DENKA TFE module (comprised of emitter, suppressor and extractor)
- Built-in service to the guns or supply in module forms are available.

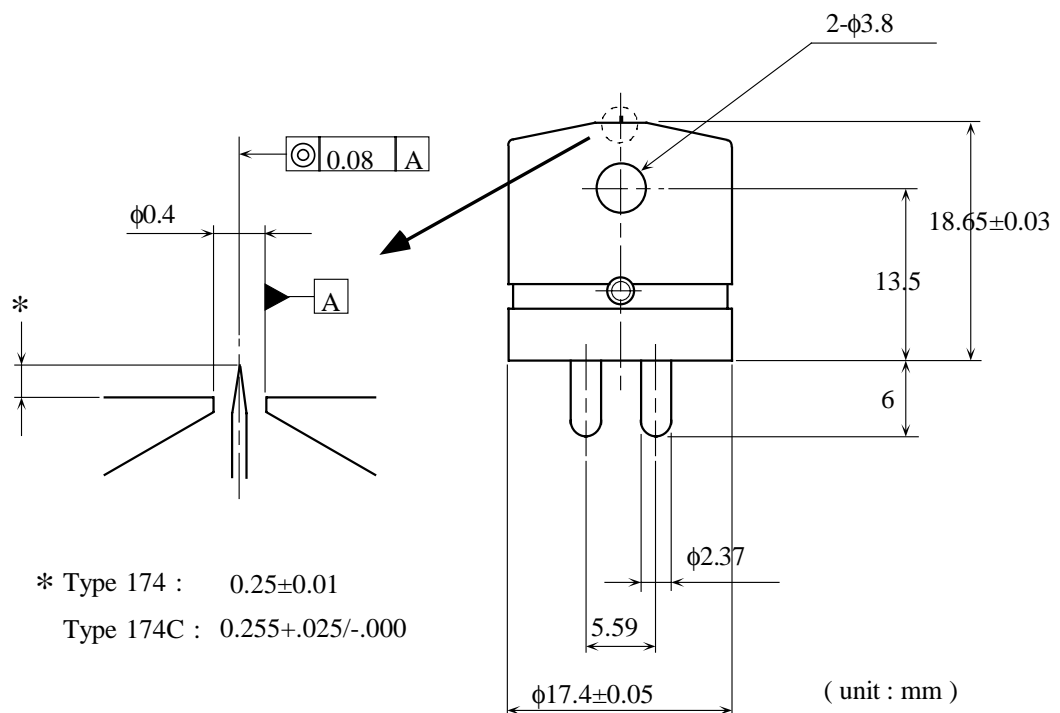
Technical data

- Operating temperature: $\leq 1850\text{K}$. 1800K recommended.
- Operating pressure: $\leq 1.3 \times 10^{-6}\text{Pa}$ ($1 \times 10^{-8}\text{Torr}$).
Operation $\leq 2.7 \times 10^{-7}\text{Pa}$ ($2 \times 10^{-9}\text{Torr}$) recommended.
- Tip radius : 0.3 to $0.9\mu\text{m}$. Range of tolerance $\Delta R = 0.1$ or $0.2\mu\text{m}$.

Remark: For tip radius range $> 0.9\mu\text{m}$, contact DENKA sales division.

- Filament current at 1800K: $\leq 2.6\text{A}$

Drawing



DENKA TFE 174/174C